

INDUSTRIAL GRADE LCD / LED MONITORS

- Superior Viewing Angles, Contrast & Brightness
- Supports Auto Adjustments
- Supports Worldwide power
- Flexible mounting designed for Wall, Panel, Rack mounting
- Industrial Panels
- Touch Screens available in SAW, 5 Wire resistive touch technologies
- Stable Reliable & Durable

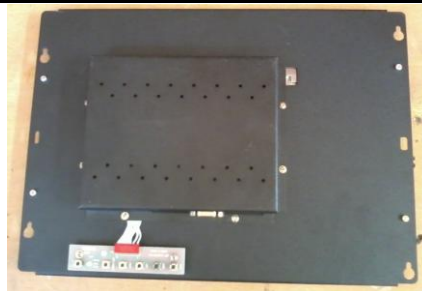
Module	
Brightness	: 250 / 300 nits
Contrast Ratio	: 700
Response Time	: 12 ms
Resolution	: 1024 x 768
Number of Colours	: 16.2m
Pixel Pitch(mm)	: 0.297 x 0.297
Screen Size	: 15"
Viewing Angle	: 160/140
PC Input / Output	: 12 V, 3 A
Active Area	: 304.128 (H) x 228.096
Colors	: 16.2 Millions colors (RGB 6Bit+FRC)
Temperature	
Working	: -20-55 degree Celsius
Storage	: -10-60 degree Celsius
Dimensions	
Set	: 267.4 X 335.4 X 36.2 (MM)
Signal Interface	
VGA	: YES
DVI	: OPTIONAL
HDMI	: OPTIONAL
Panel Mounting Kits	
Wall Mount	YES
Rack Mount	YES
OSD Function	YES

TYPES OF MONITORS AVAILABLE

WALL MOUNT



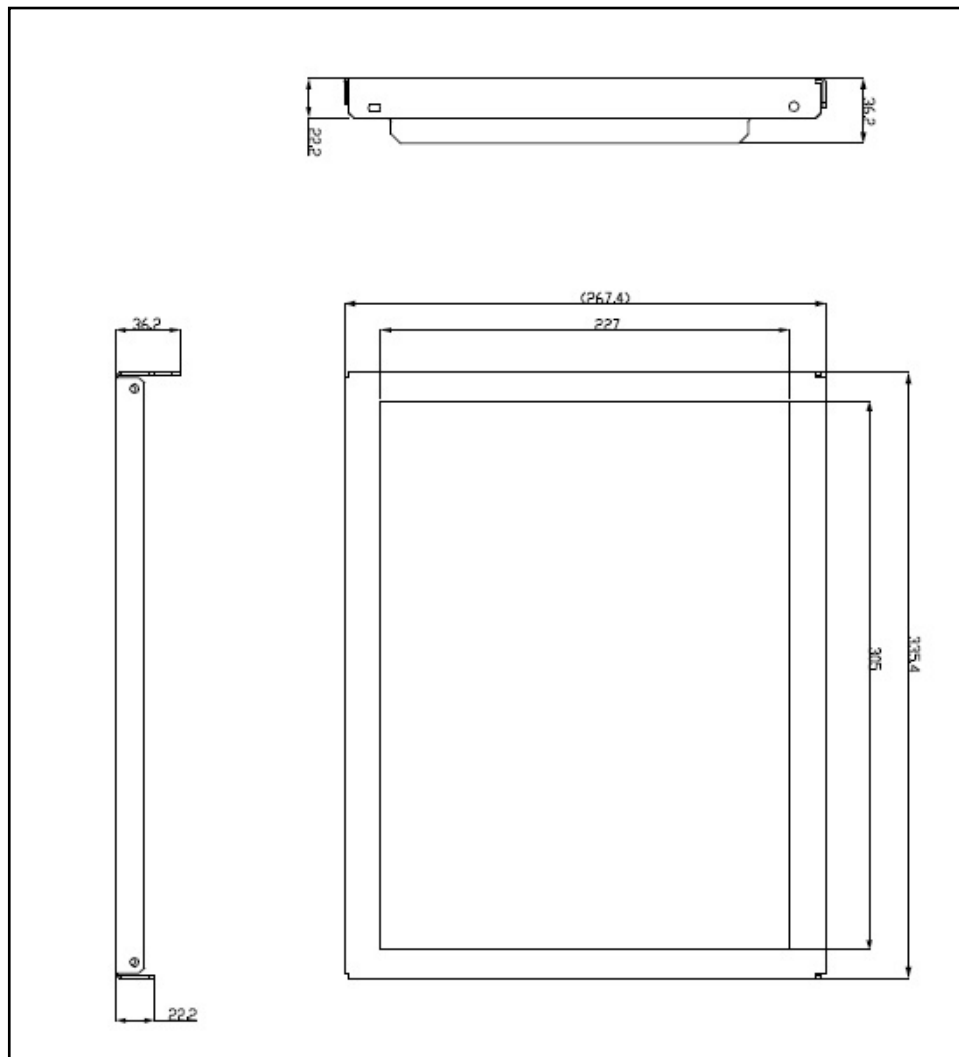
RACK MOUNT



PANEL MOUNT



DRAWING



SoftTouch Technologies

#18, First Floor, Raka Palace,
Near Indian Overseas Bank
Chinchwad,
Pune – 411 033
Maharashtra, India

Office Phone: +91-20-64100281 / 65103865

Email: sales@softtouch.co.in

URL: www.softtouch.co.in / www.touchscreenindia.co.in